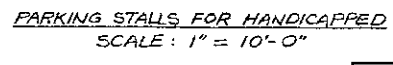
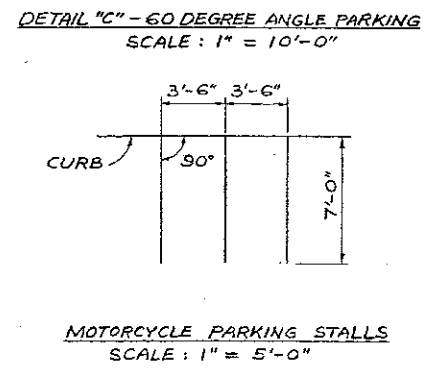
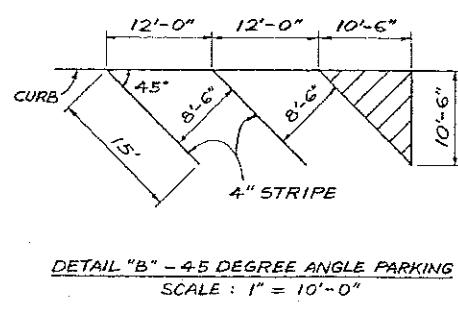
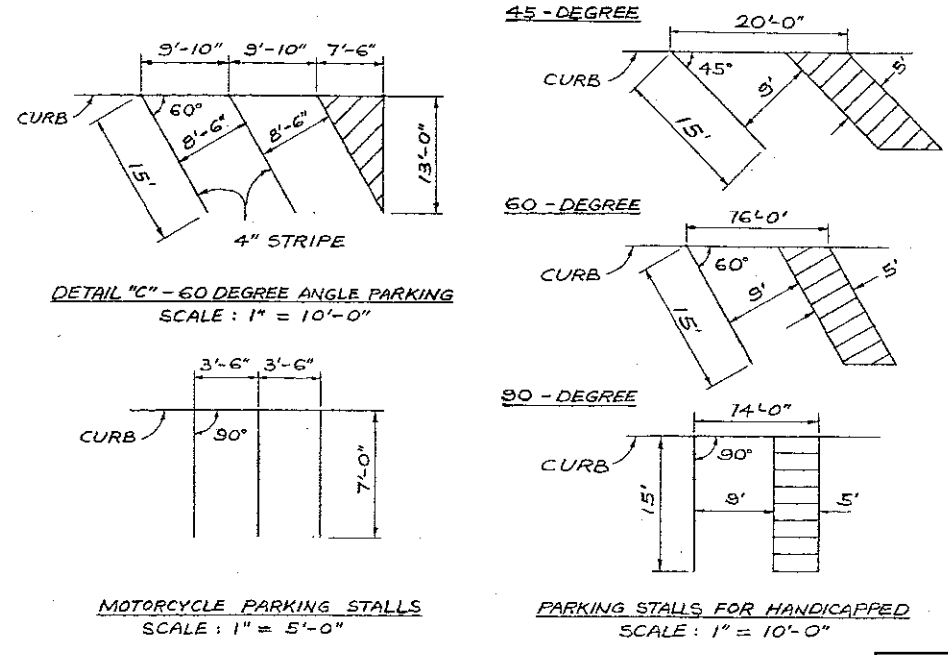
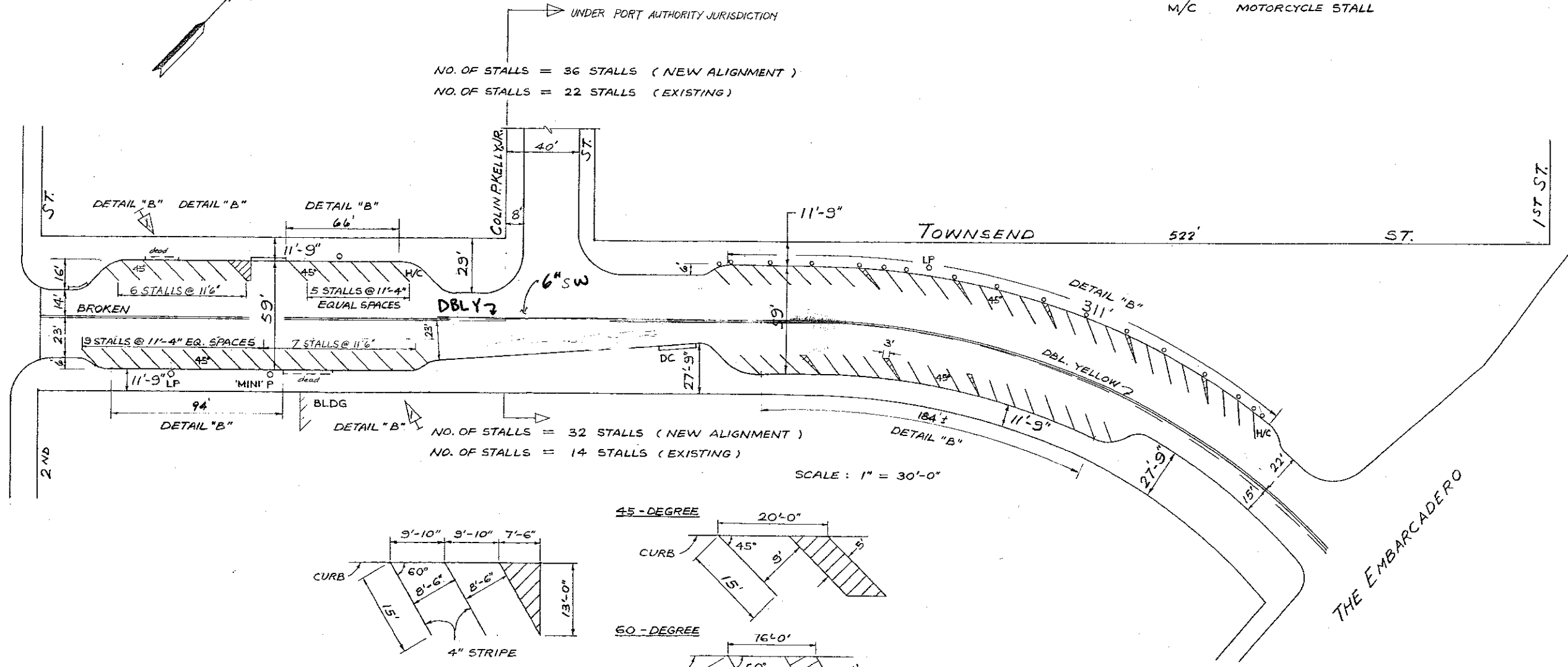


LEGEND :

- == == == EXISTING DBL. YELLOW TO BE REMOVED
- - - - - EXISTING BROKEN WHITE TO BE REMOVED
- ==== EXISTING STRIPING TO REMAIN OR NEW STRIPING
- H/C HANDICAP STALL
- M/C MOTORCYCLE STALL



PROJECT 2-16 EXISTING

TOWNSEND STREET
8TH STREET TO THE EMBARCADERO

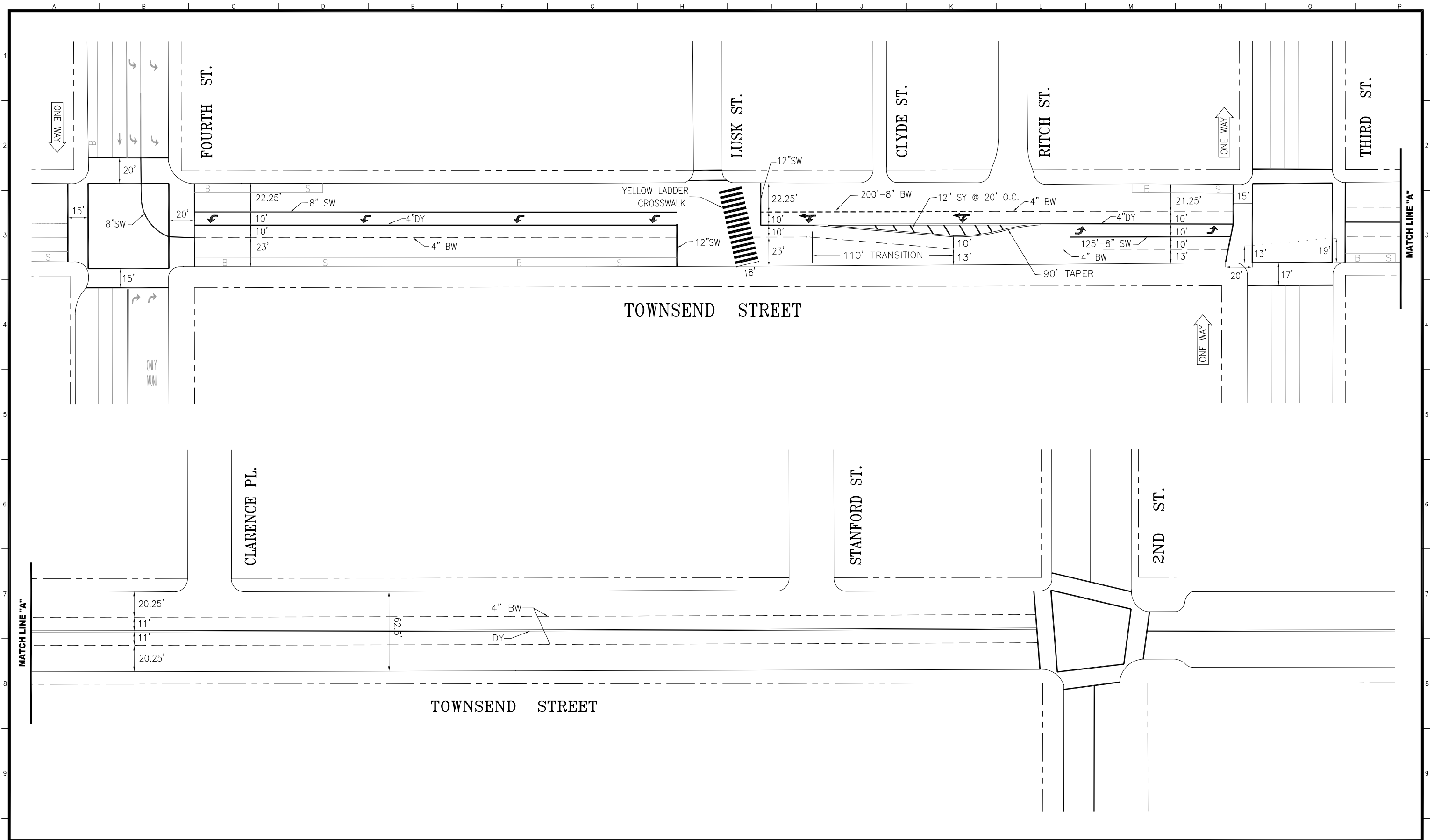
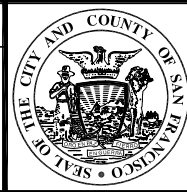


TABLE OF REVISIONS			
NO.	DATE	DESCRIPTION	BY

CHECK WITH TRACING TO SEE IF YOU HAVE LATEST REVISION

REFERENCE INFORMATION
& FILE NO. OF SURVEYS

SUPERCEDES
STR-XXXX XX X
STR-XXXX XX X
STR-XXXX XX X



DEPARTMENT OF PARKING AND TRAFFIC
DIVISION OF TRAFFIC ENGINEERING
CITY AND COUNTY OF SAN FRANCISCO

DESIGNED: DATE: _____
 DRAWN: DATE: _____
 D.X.W
 CHECKED: DATE: _____

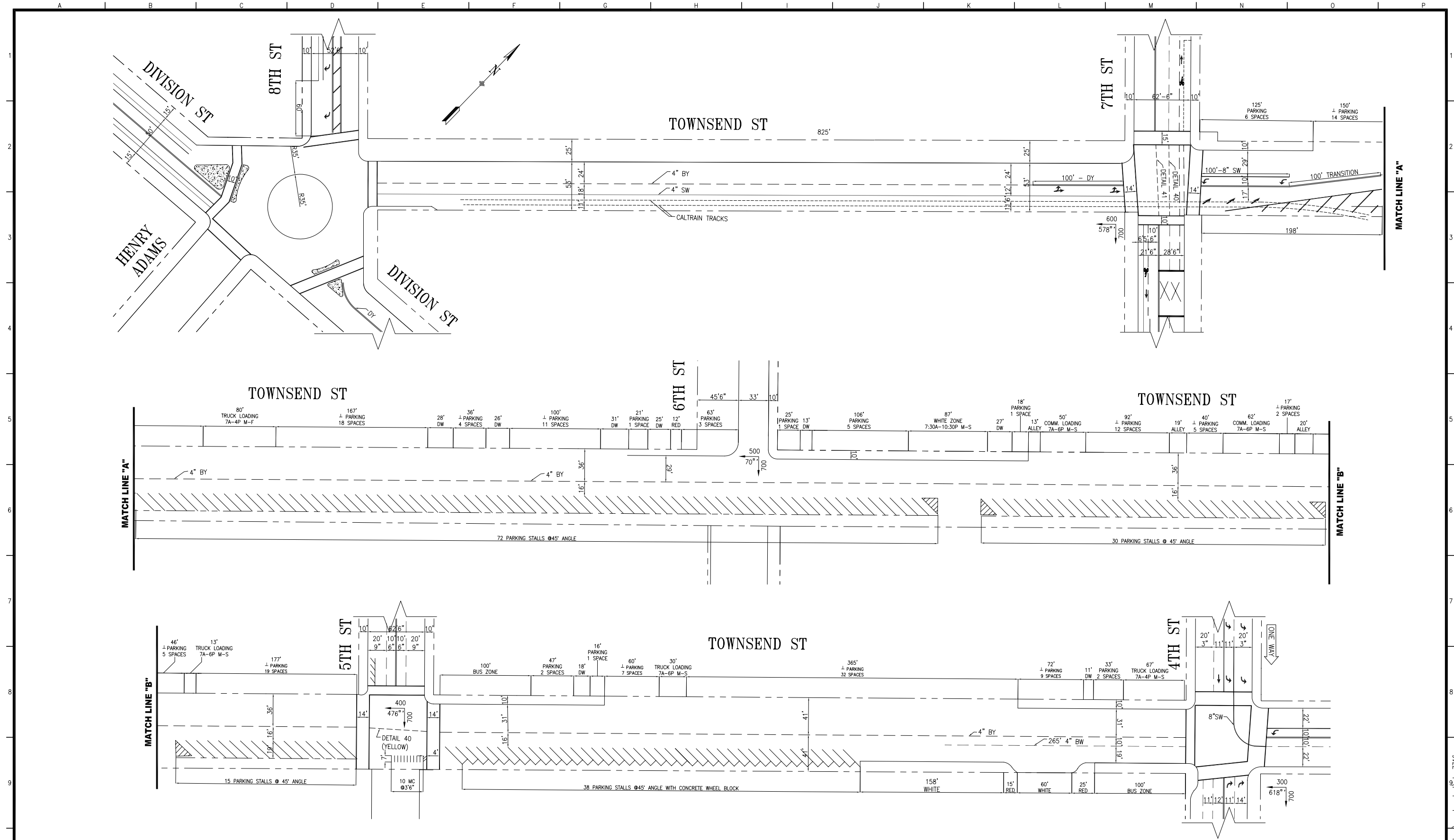
APPROVED
 SECTION ENGINEER DATE: _____
 CITY TRAFFIC ENGINEER DATE: _____

SCALE:
 1"=70'
 SHEET OF SHEETS
 2 OF 3

PROJECT 2-16 EXISTING
TOWNSEND STREET
8TH STREET TO THE EMBARCADERO

CONTRACT NO.
 DRAWING NO.
 FILE NO.
 REV. NO.
 0

EXTERNAL REFERENCES:
 FONTS USED:
 SCALE FACTOR:
 PLOT SCALE:
 ORIGIN: PLANNING
 FILE NAME:
 DATE:

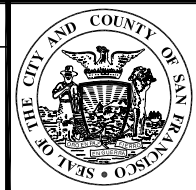


NO.	DATE	DESCRIPTION	BY	APP.
1	03/30/07	CHANGED DIMENSIONS/SIDEWALK/STRIPING, PER FIELD CHECK	DXW	
2	11/16/08	ADDED LEFT/RIGHT TURN POCKETS AND INTERSECTION DETAILS	TA	TF

TABLE OF REVISIONS
CHECK WITH TRACING TO SEE IF YOU HAVE LATEST REVISION

REFERENCE INFORMATION & FILE NO. OF SURVEYS

SUPERCEDES
STR-2521 REV 25



DEPARTMENT OF PARKING AND TRAFFIC
DIVISION OF TRAFFIC ENGINEERING
CITY AND COUNTY OF SAN FRANCISCO

DESIGNED: DATE:
 DRAWN: DATE:
 CHECKED: DATE:
 R.O 9/06

APPROVED
THOMAS P. FOLKS 2006
 SECTION ENGINEER DATE:
JACK L. FLECK 2006
 DEP. DIRECTOR AND CITY TRAFFIC ENGINEER DATE:

SCALE:
 1"=50'
 SHEET OF SHEETS
 3 OF 3

PROJECT 2-16 EXISTING
TOWNSEND STREET
8TH STREET TO THE EMBARCADERO

CONTRACT NO.
 DRAWING NO.
STR-7716
 FILE NO.
 REV. NO.
 2

EXTERNAL REFERENCES:
 FONTS USED:
 SCALE FACTOR:
 PLOT SCALE:
 FILE NAME:
 DATE: